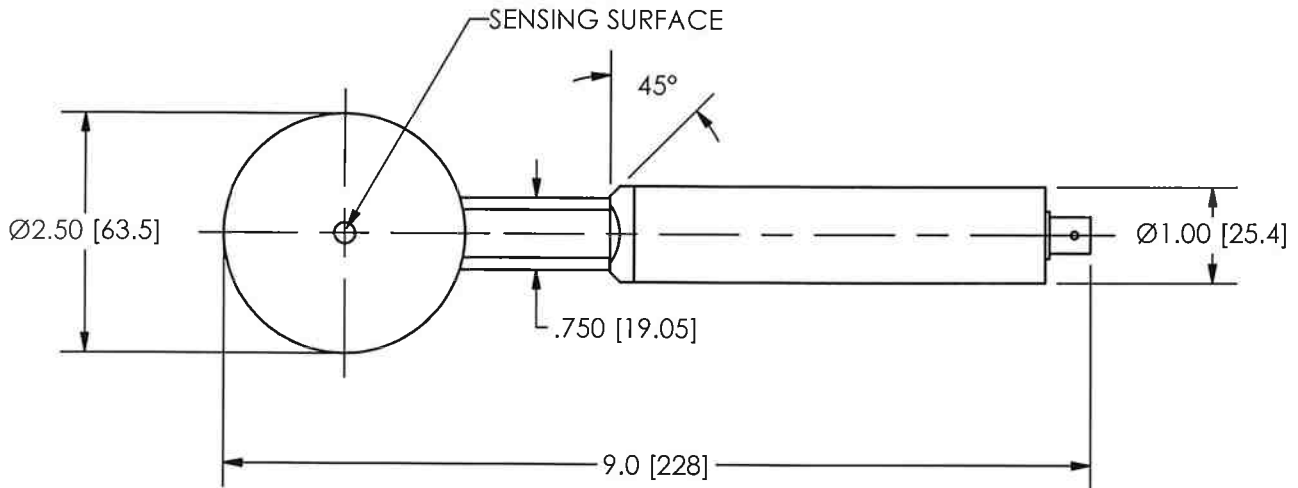
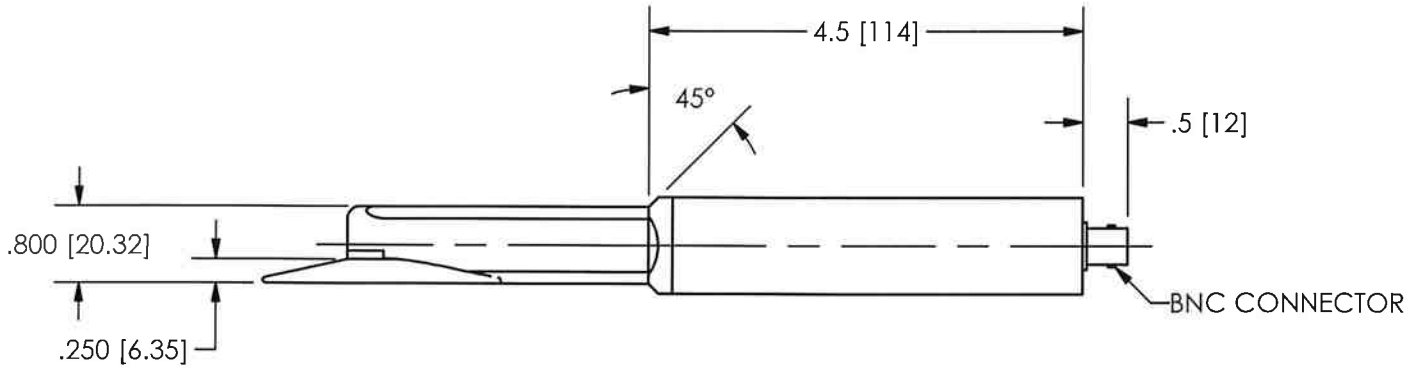


PCB Piezotronics Inc. claims proprietary rights in the information disclosed hereon. Neither it nor any reproduction thereof will be disclosed to others without the written consent of PCB Piezotronics Inc.

REVISIONS

REV	DESCRIPTION	ECN	APP'D
NR	RELEASED TO DRAFTING		DM 1/16/08
A	UPDATE DRAWING FOR CLARITY	28561	MDF 4/14/08

39350



UNLESS OTHERWISE SPECIFIED TOLERANCES ARE:

DIMENSIONS IN INCHES	DIMENSIONS IN MILLIMETERS [ IN BRACKETS ]
DECIMALS XX ± .03 XXX ± .010	DECIMALS X ± 0.8 XX ± 0.25
ANGLES ± 2 DEGREES	ANGLES ± 2 DEGREES

DRAWN	MDF	4/14/08	MFG	RC	4/14/08
CHK'D	MDF	4/14/08	ENGR	NJL	4/14/08
APP'D	EB	4/14/08	SALES	DPC	4/14/08

TITLE  
 OUTLINE DRAWING  
 MODEL 113B50 SERIES  
 FREE FIELD BLAST PROBE

**PCB PIEZOTRONICS**<sup>INC</sup>  
 3425 WALDEN AVE. DEPEW, NY 14043  
 (716) 684-0001 E-MAIL: sales@pcb.com

CODE IDENT. NO. 52681	DWG. NO. 39350
SCALE: .5 X	SHEET 1 OF 1